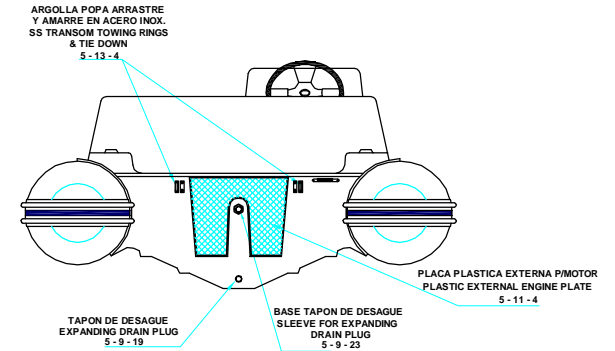
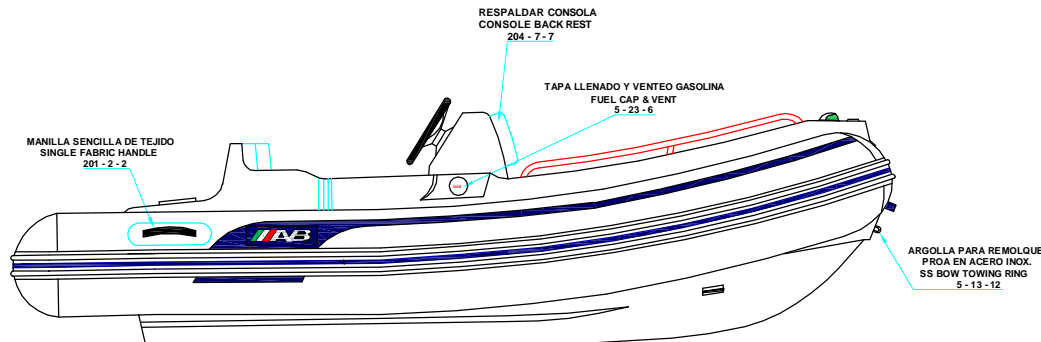


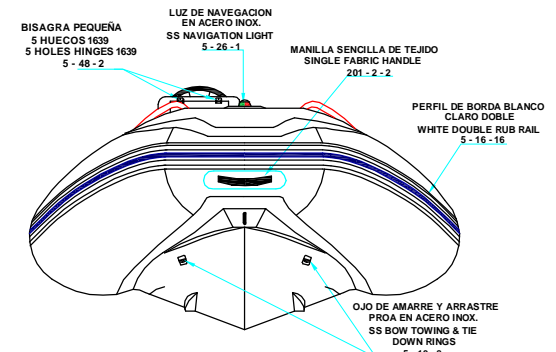
**PLANT VIEW  
VISTA SUPERIOR**



**AFT VIEW  
VISTA TRASERA**



**LONGITUDINAL PROFILE  
VISTA LATERAL**



**FORE VIEW  
VISTA FRONTAL**

**NOTA:** FAVOR INDICAR COLOR DEL BOTE AL ORDENAR / **NOTE:** MUST INDICATE BOAT COLOR WHEN ORDERING